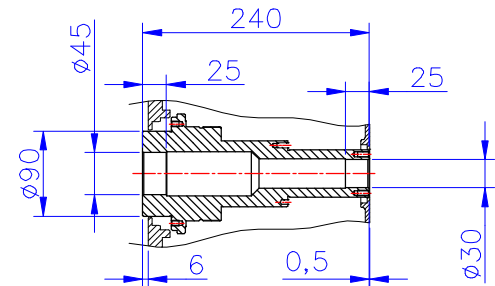
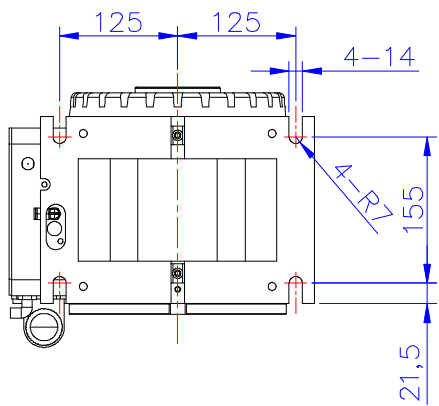
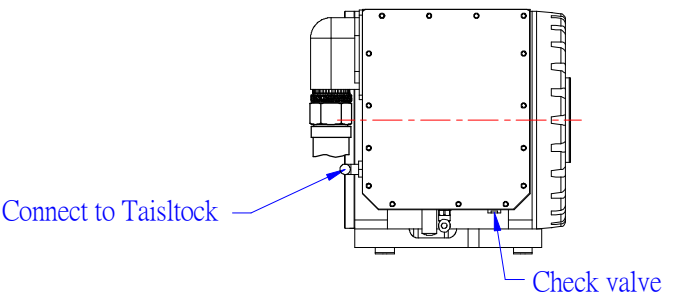
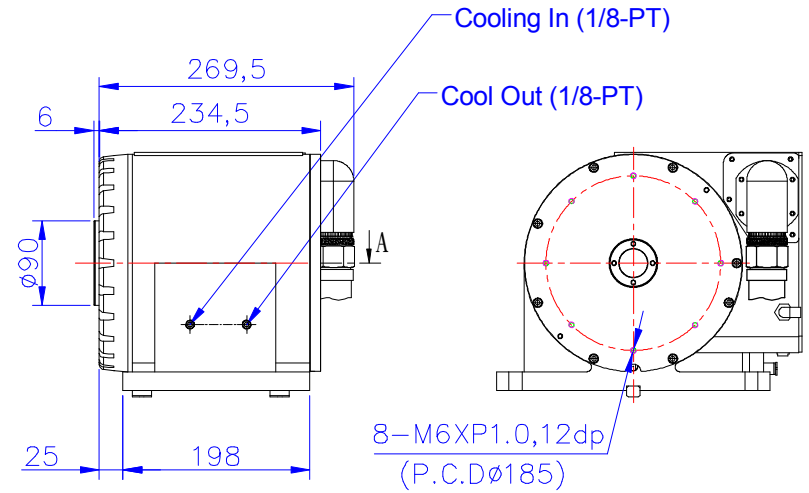
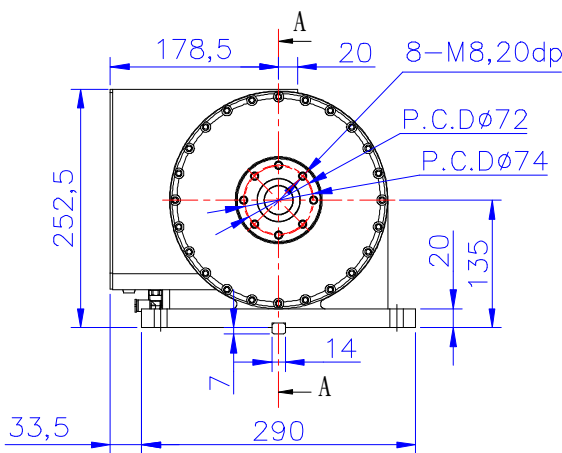
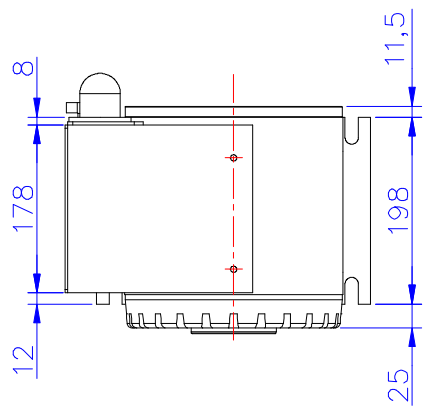


Technical data

MODEL	VDD-170AP-HE12
Brake Source : (Pneumatic :5kg/cm ²) ²	31kg/cm ²
Spindle Type	Flange type, spindle $\phi 90$, hole $\phi 45$ 25L
Spindle Hole	$\phi 30$ (through hole)
Cooling	Liquid cooling(Optional)

MODEL	VDD-170AP-HE12	
Encoder	TYPE	ECN-125
	SIGNAL	EnDat2. 2
	RESOLUTION	25bit



A-A View (1:1)

NO	REASONS FOR REVISION	CORRECTION DATE	VERSINO	UNIT	PROJECTION	SCALE	DRG. No.	EDD-170BP	Designed	2017. 02. 23
			1	MM		Frame 8 : 1 Drawing 1 : 1				