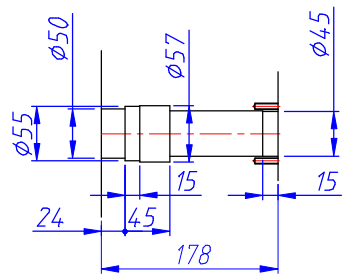
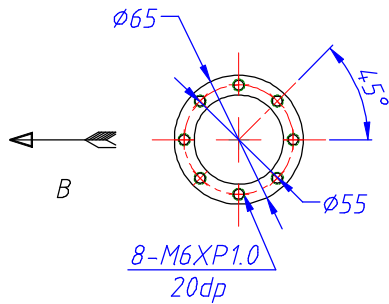


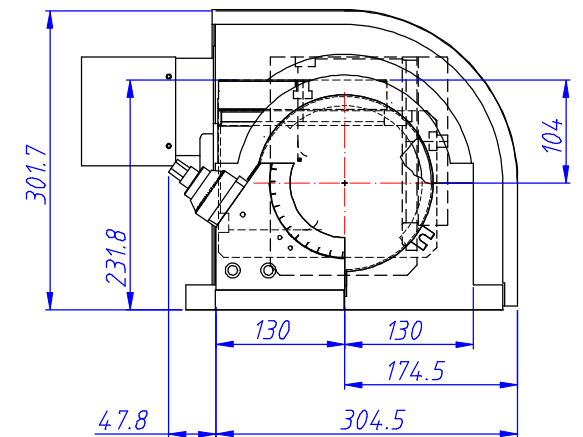
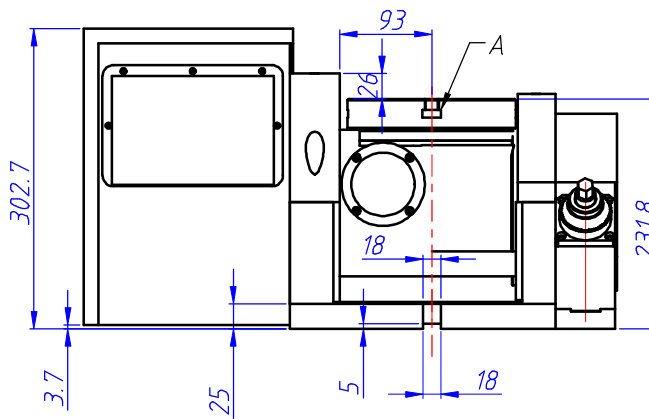
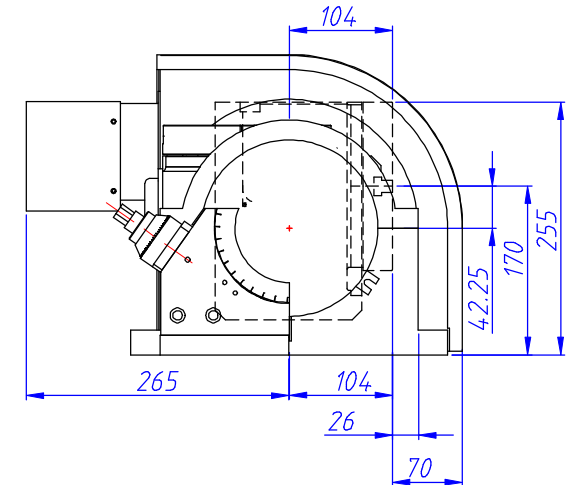
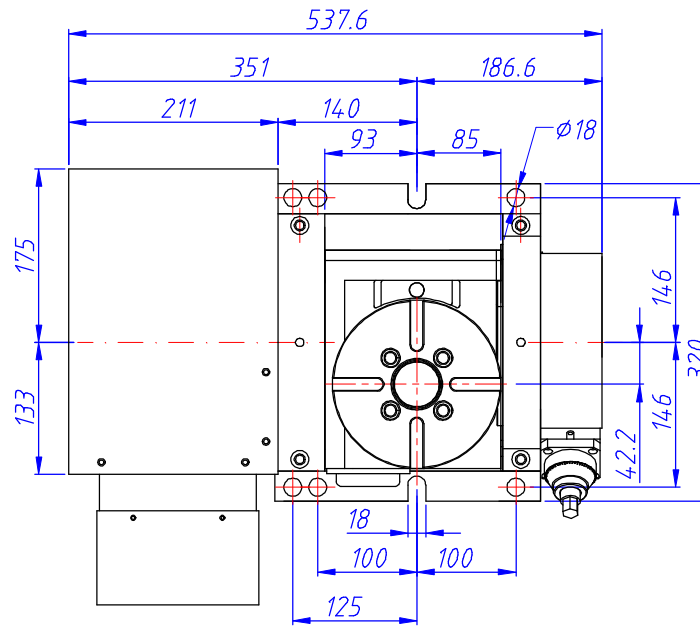
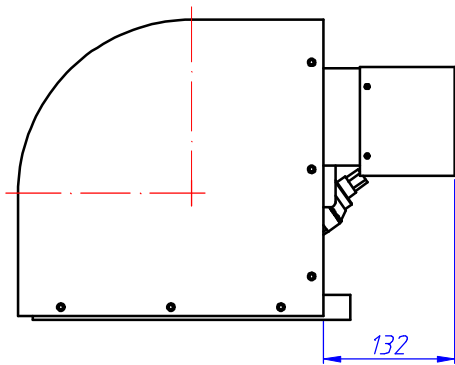
A-View



Spindle Hole



B-View



Servo Motor	
Brand	Model
FANUC	α 4i
	β 8i
MELDAS	HF-54T

NO	REASONS FOR REVISION	CORRECTION DATE	VERSINO	UNIT	PROJECTION	SCALE	DRG. No.	TDM-170-EN	TOPSDISK CO. LTD.
			1	MM		Frame 8 : 1			