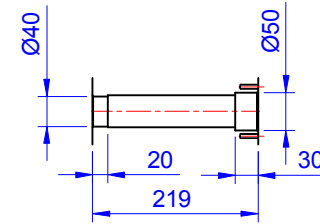
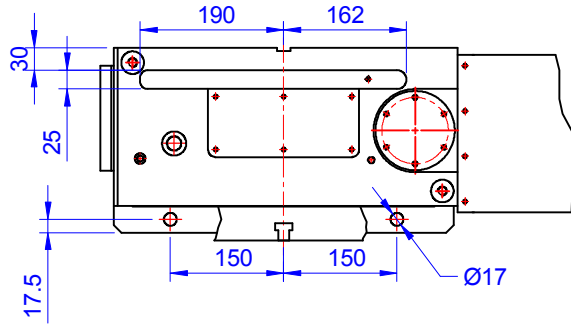
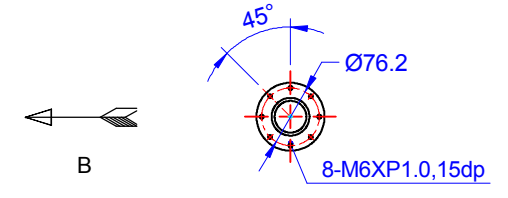


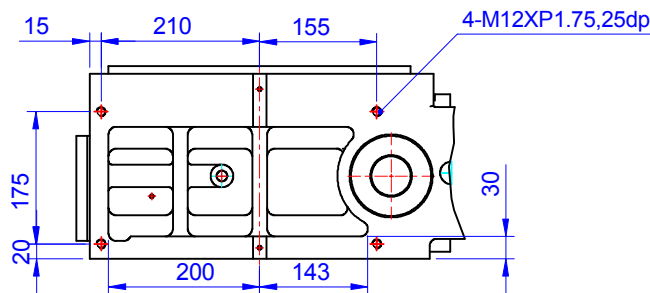
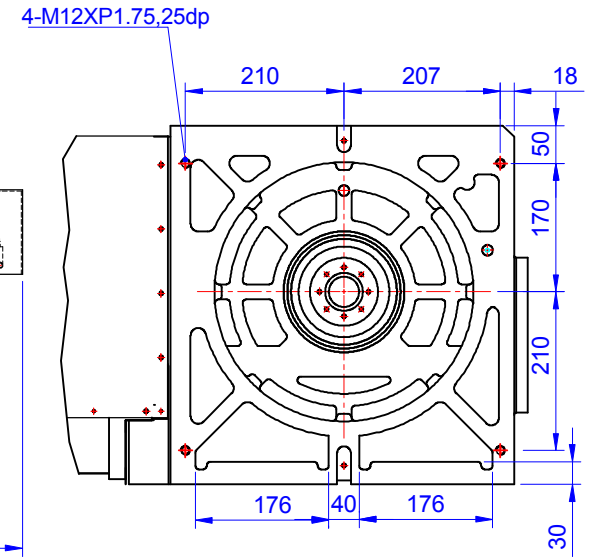
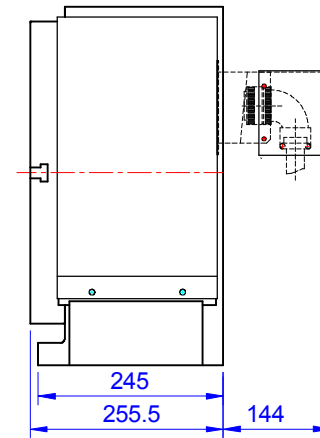
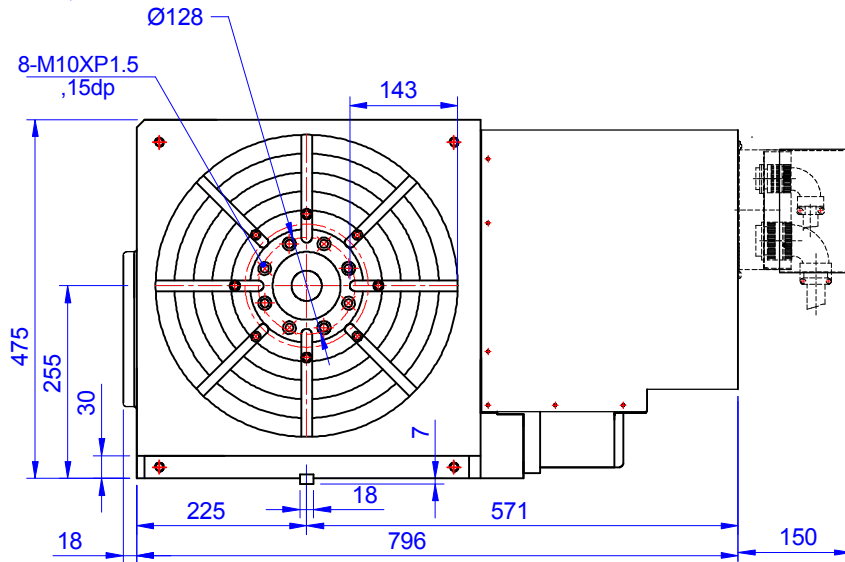
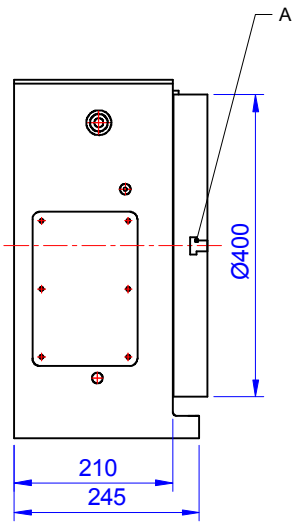
A-View



Spindle Hole



B-View



△	REASONS FOR REVISION	CORRECTION DATE	VERSINO	UNIT	PROJECTION	SCALE	Match models	DRG. No.	TD-400-EN	Designed	
			1	MM		10 : 1	TD-400	NEME	Over View	SPINTOP MACHINERY CO., LTD. 芳嘉天碟 TEL: (04) 25682975 TOPDISK	