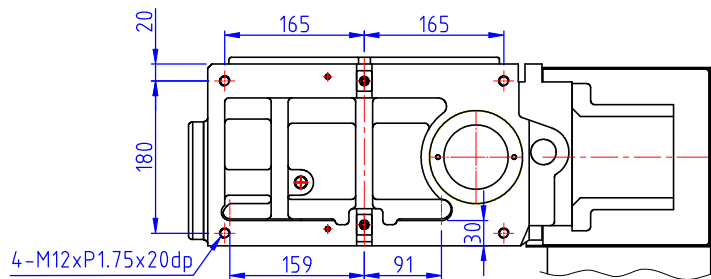
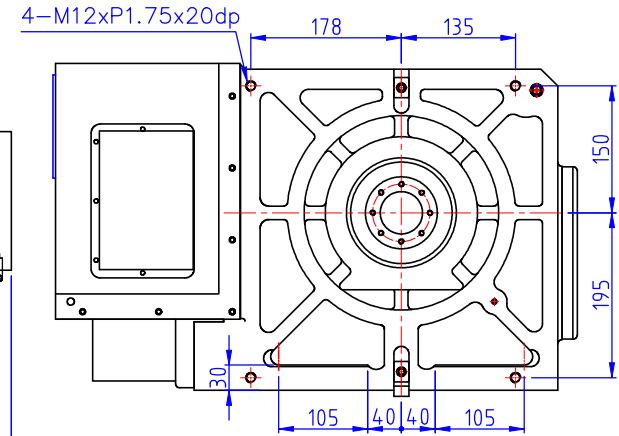
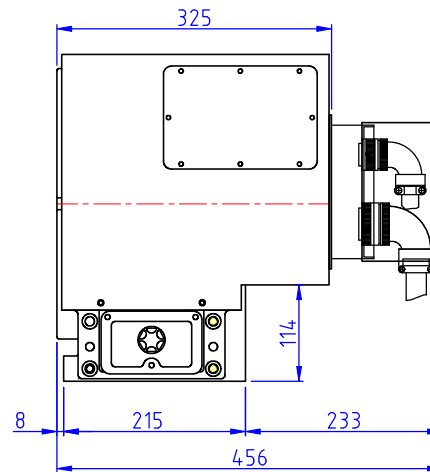
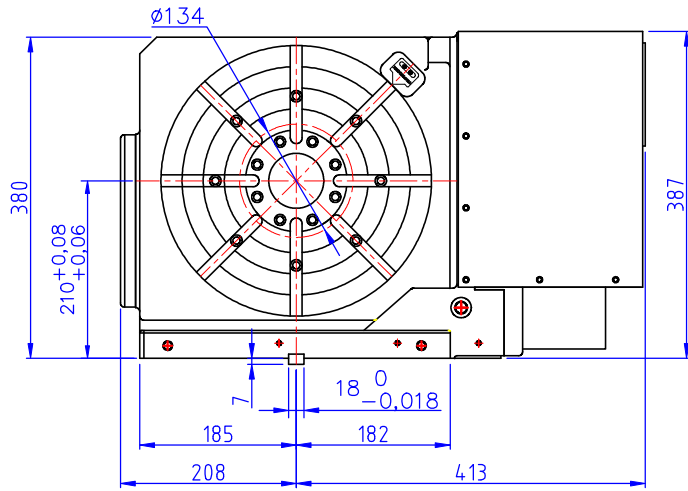


A-View Spindle Hole



Servo Motor	
Brand	Model
FANUC	α 12i
MELDAS	HF204S

NO	REASONS FOR REVISION	CORRECTION DATE	VERSINO	UNIT	PROJECTION	SCALE	DRG. No.	P-ALFH@TD320V-EN	TOPSDISK CO. LTD. TEL: (04) 25682975
			1	MM		Frame 8 : 1 Drawing 1 : 1			