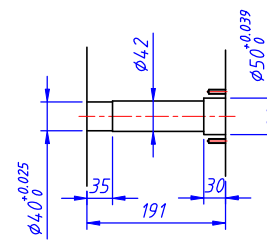
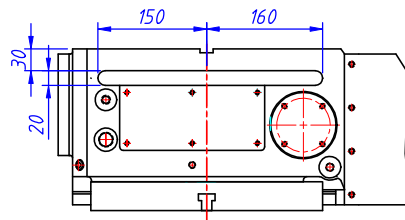
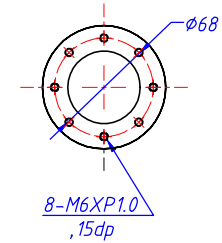
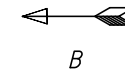


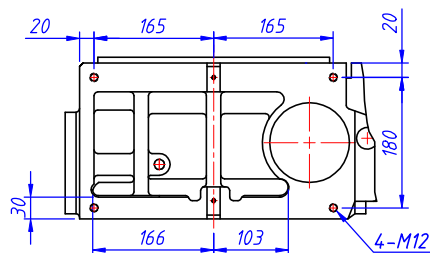
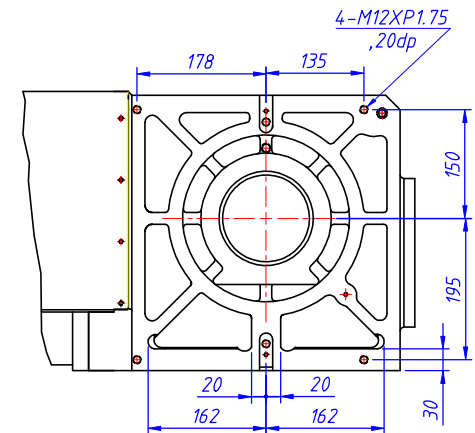
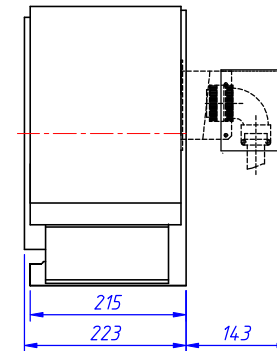
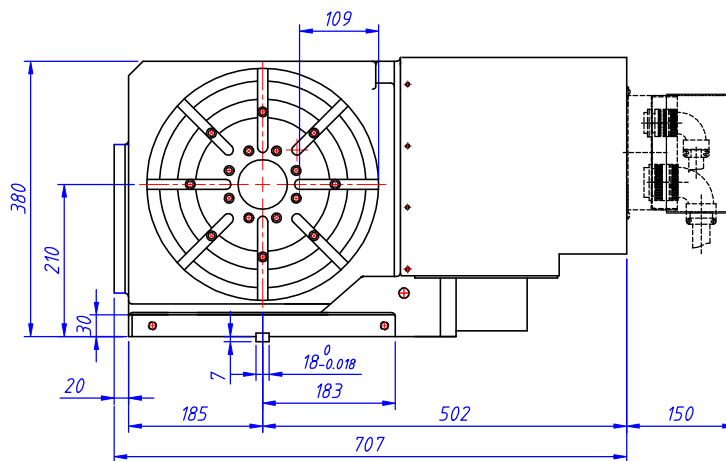
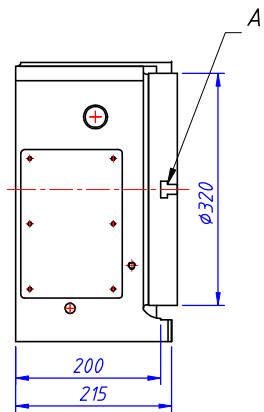
A-View



Spindle Hole



B-View



Servo Motor	
Brand	Model
FANUC	$\alpha 12i$
MELDAS	HF204S

NO	REASONS FOR REVISION	CORRECTION DATE	VERSINO	UNIT	PROJECTION	SCALE	DRG. No.	TD-320+a12-EN	TOPSDISK CO. LTD. TEL: (04) 25682975
			1	MM		Frame 9 : 1	NEME		