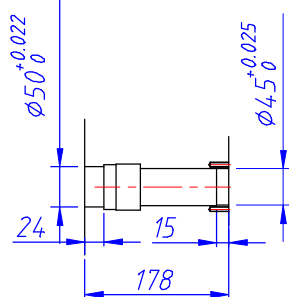
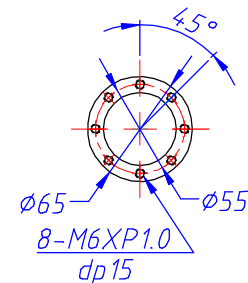
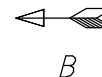


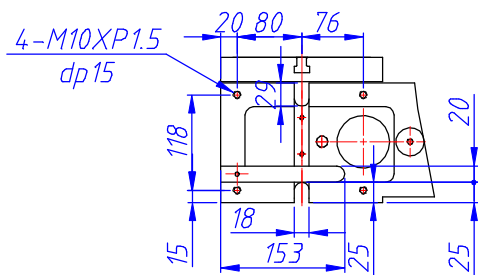
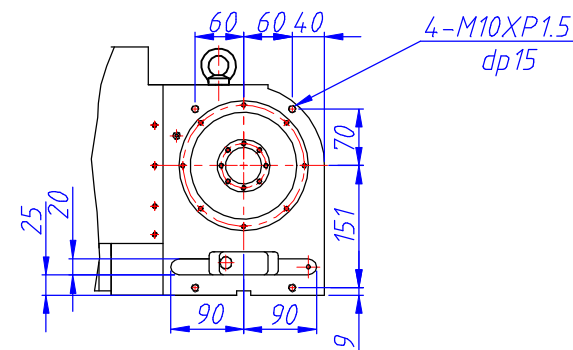
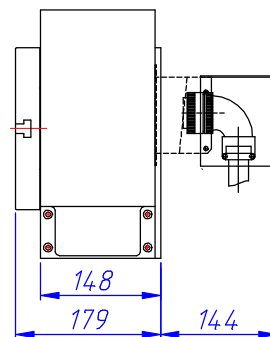
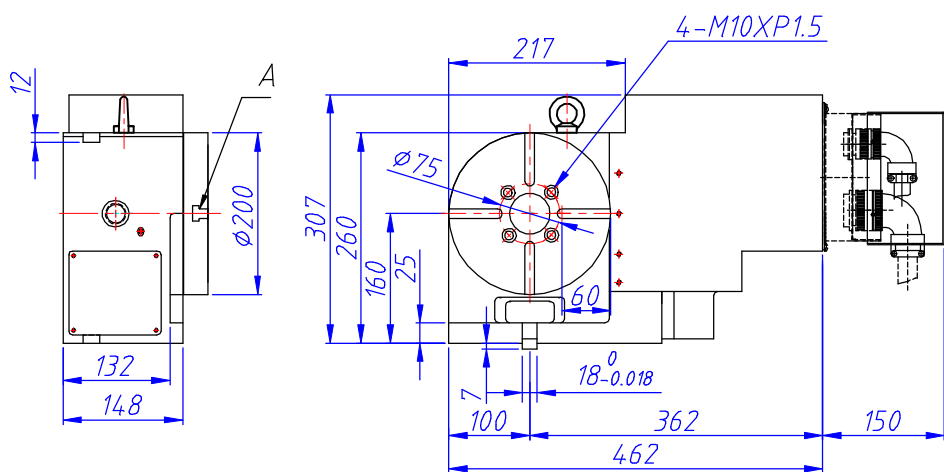
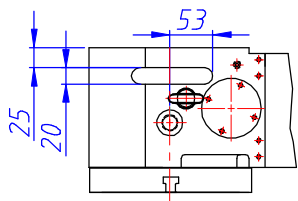
A-View



Spindle Hole



B-View



Servo Motor	
Brand	Model
FANUC	α 4i
	β 8i
MELDAS	HF-54S(T)
	HF104S(T)

NO	REASONS FOR REVISION	CORRECTION DATE	VERSINO	UNIT	PROJECTION	SCALE	DRG. No.	TD-200	TOPSDISK CO. LTD. TEL: (04) 25682975
			1	MM		Frame 9 : 1			