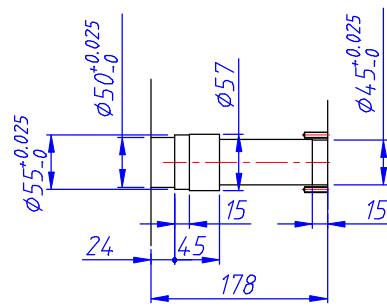
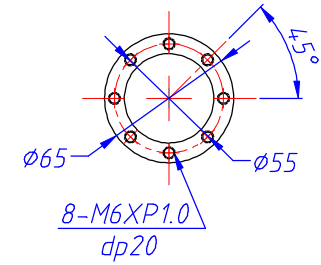
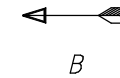


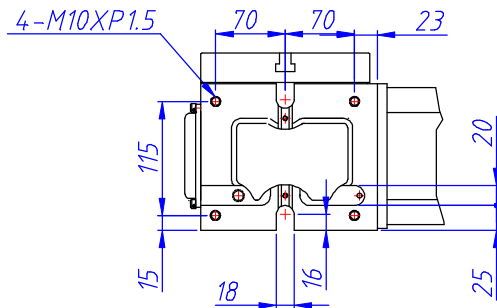
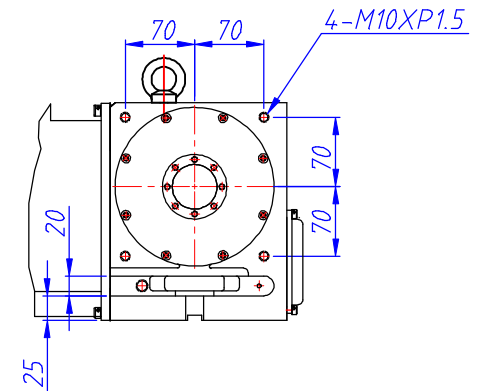
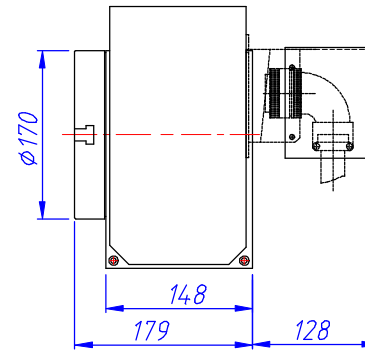
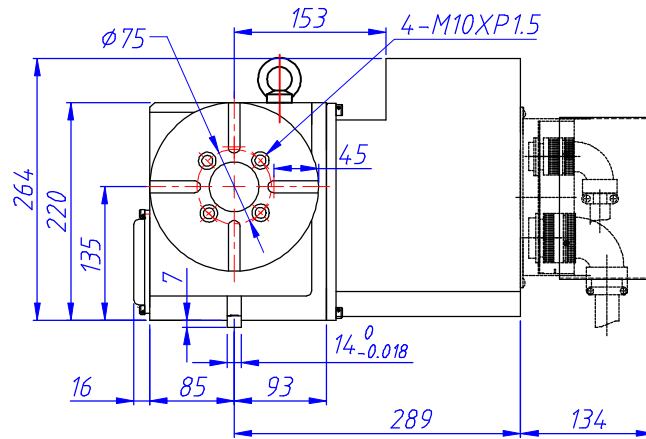
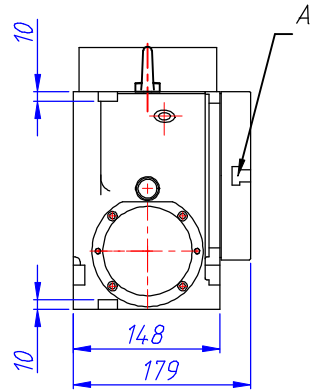
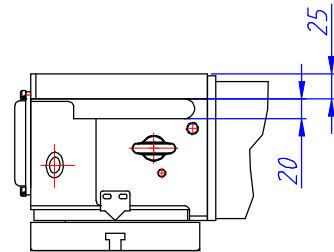
A-View



Spindle Hole



B-View



Servo Motor	
Brand	Model
FANUC	$\alpha 4i$
	$\beta 8i$
MELDAS	HF-54S(T)
	HF104S(T)

NO	REASONS FOR REVISION	CORRECTION DATE	VERSINO	UNIT	PROJECTION	SCALE	DRG. No.	TD-170FANUC-a4i	TOPSDISK CO. LTD.
			1	MM		Frame 8 : 1			