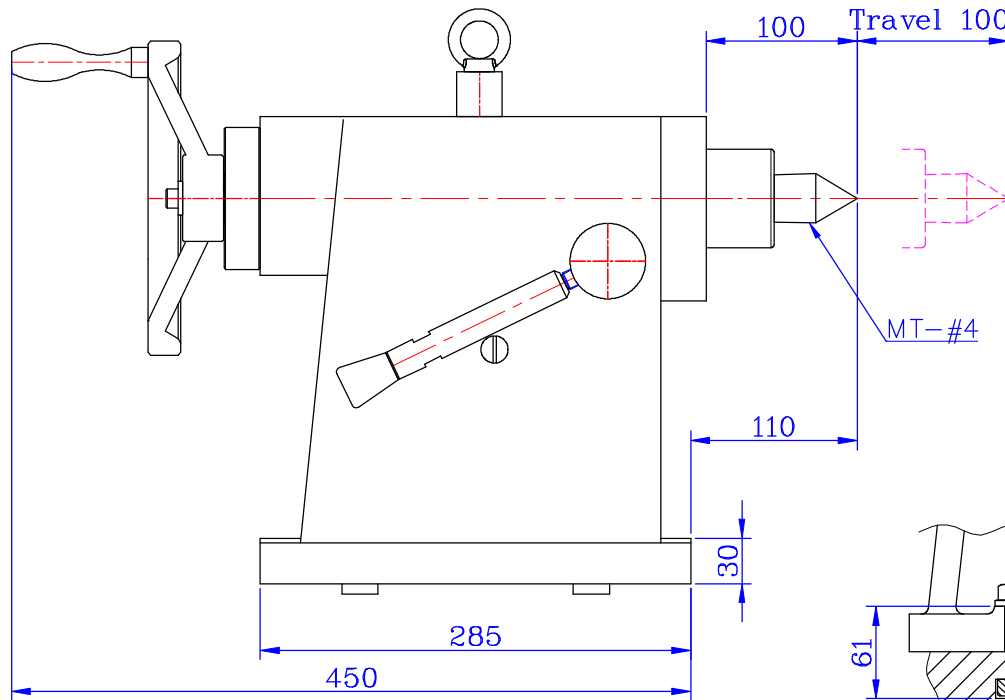
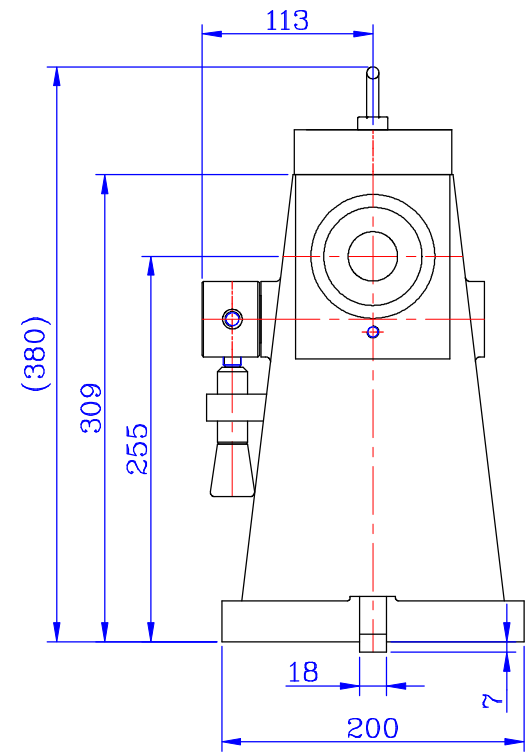
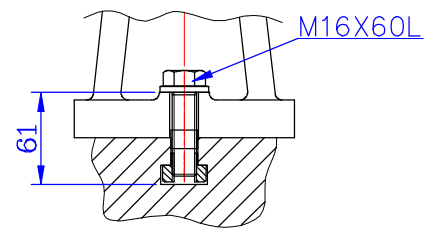


P-View



MT-#4



P

Demonstration for screw length matched with 18T slot

△	REASONS FOR REVISION	CORRECTION DATE	VERSINO	UNIT	PROJECTION	SCALE	DRG. No.	MT255S8-4	Designed	2018.01.02
			1	MM		Frame 5:1 Drawing 1:1				