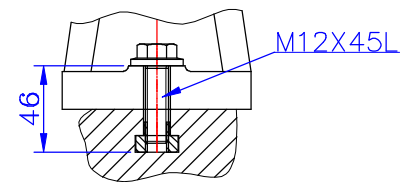
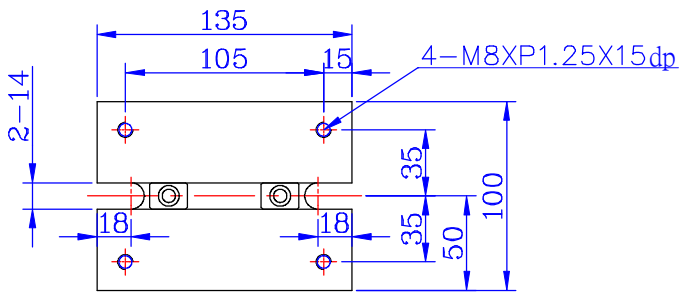
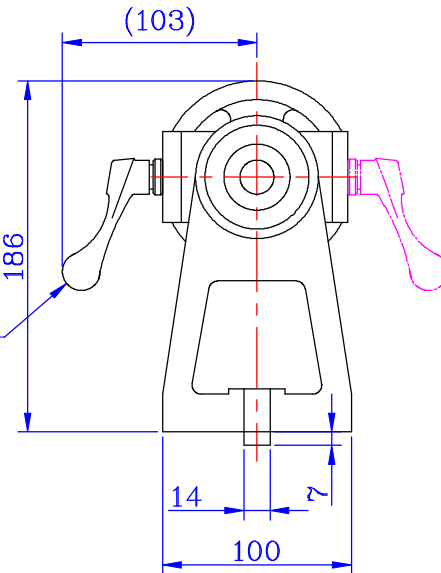


The handle can be removed and installed on the other side for use.



Demonstration for screw length matched with 14T slot

△	REASONS FOR REVISION	CORRECTION DATE	VERSINO	UNIT	PROJECTION	SCALE	DRG. No.	MT135S4-2	Designed	2018.03.15
			1	MM		Frame 4:1				
NO						Drawing 1:1	NEME	MT-135S (over view)	SPINTOP MACHINERY CO., LTD. 青嘉天碟 TEL: (04) 25682975 TOPDISK	