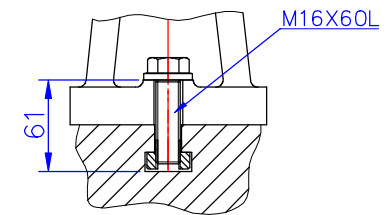
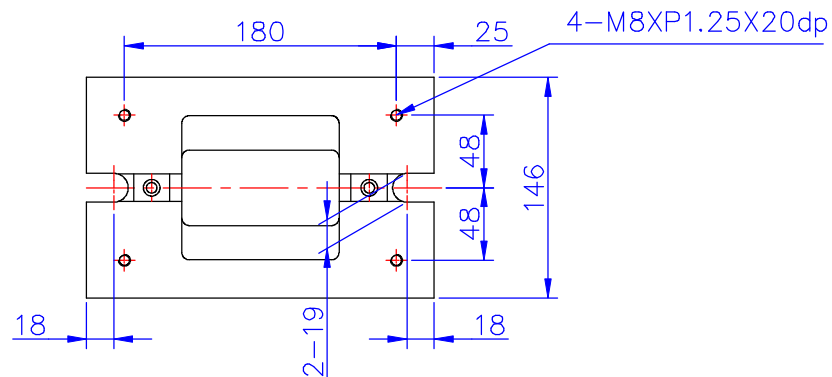
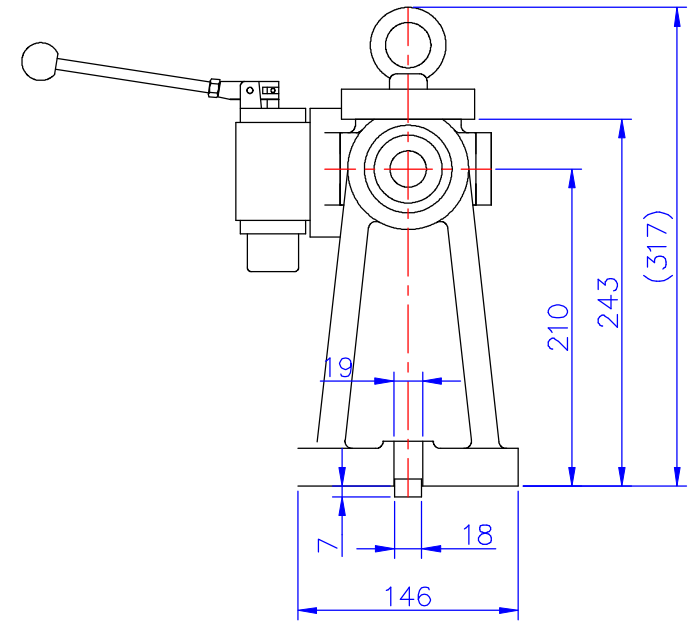
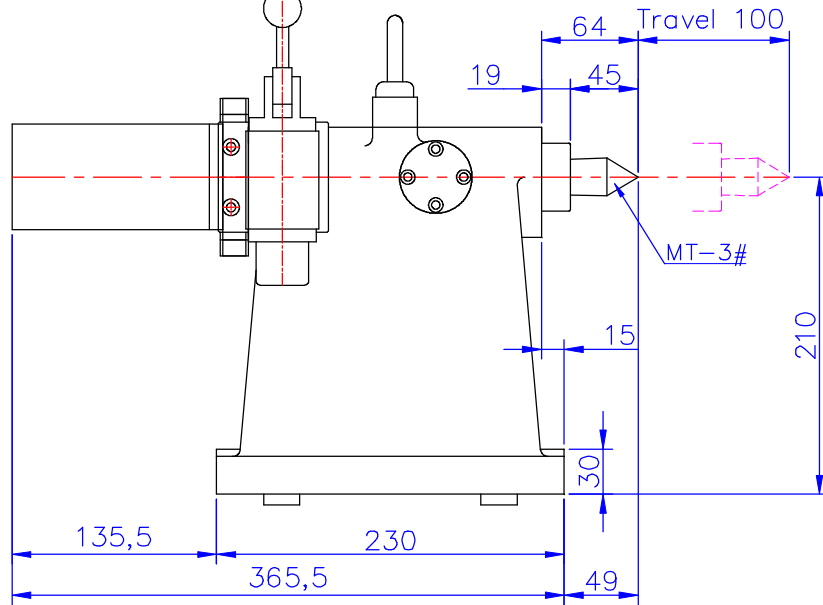


X-View

X
↓



Demonstration for screw length matched with 18T slot

△	REASONS FOR REVISION	CORRECTION DATE	VERSINO	UNIT	PROJECTION	SCALE	DRG. No.	HTM210S8-3	Designed	2018.03.23
			1	mm		Frame 5 : 1				
NO						Drawing 1 : 1		HTM-210S (over view)	芳嘉天碟 TOPDISK	TEL: (04) 25682975