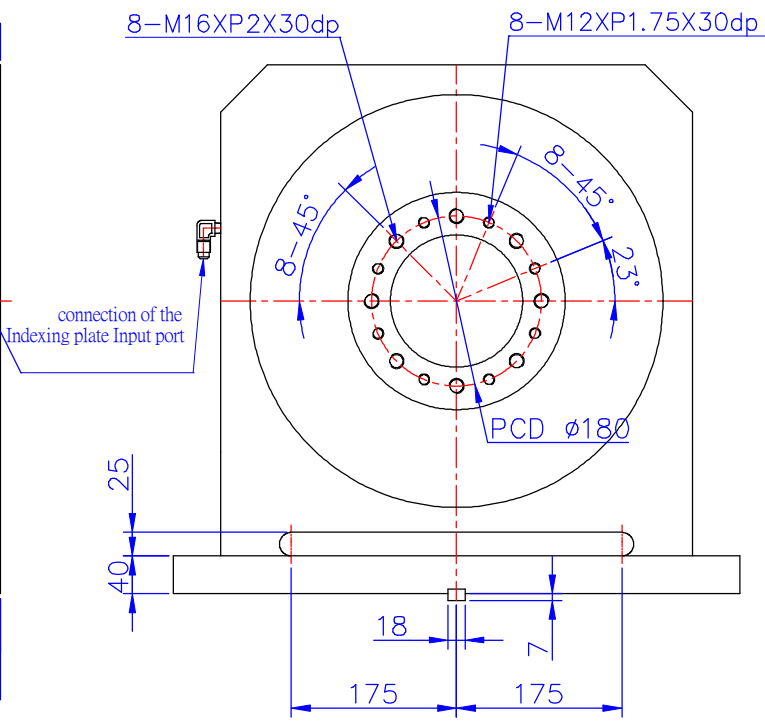
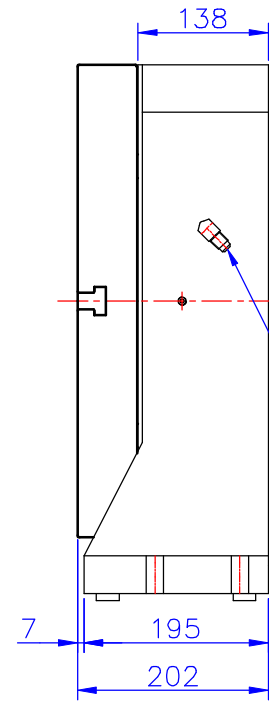
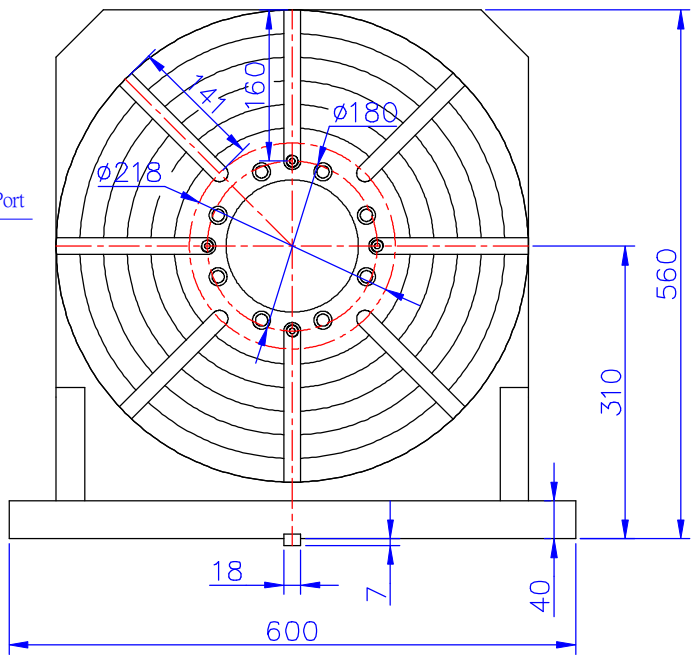
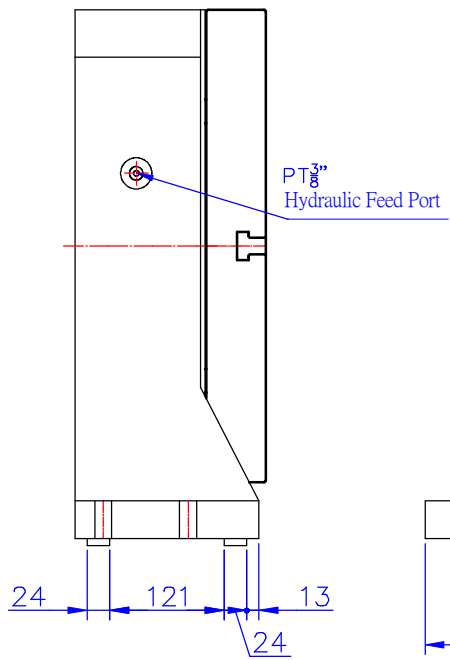


SPINDLE HOLE



△	REASONS FOR REVISION	CORRECTION DATE	VERSINO	UNIT	PROJECTION	SCALE	Match models	DRG. No.	FT-310H8-e	Designed	20180323
			1	MM		Frame 8 : 1 Drawing 1 : 1	FT-310H	NEME	Over View	SPINTOP MACHINERY CO., LTD. TEL: (04) 25682975 TOPDISK	