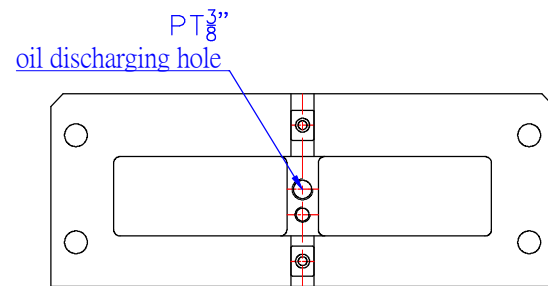
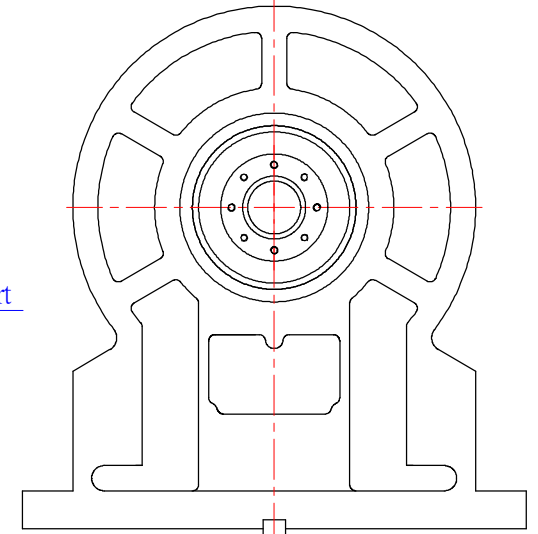
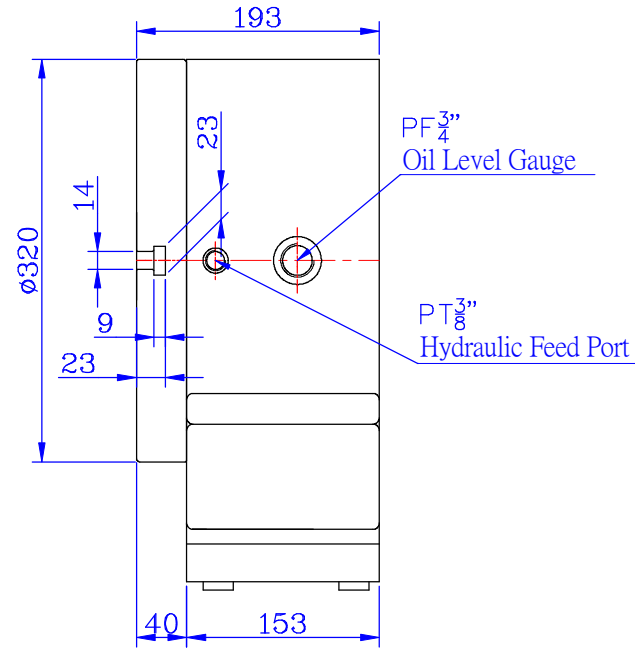
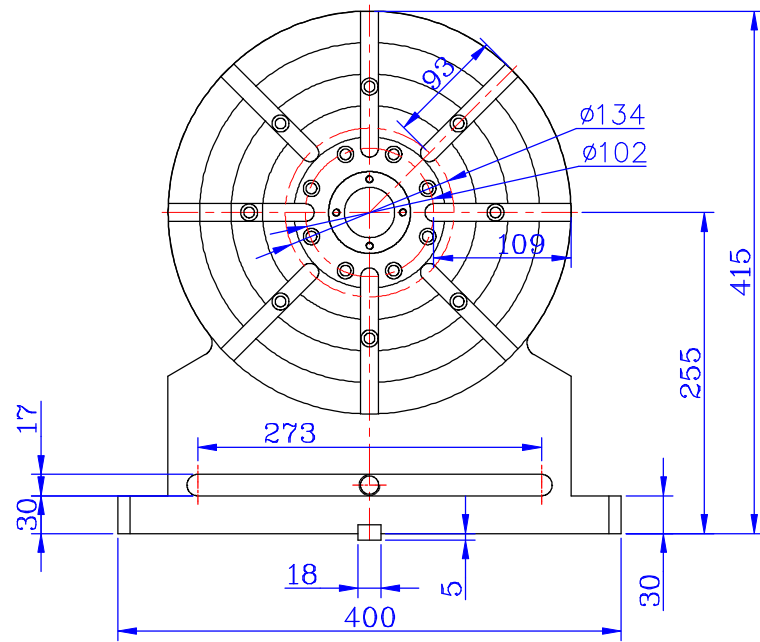
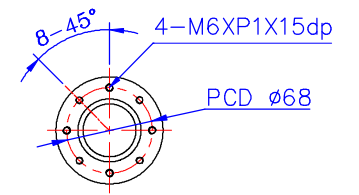


SPINDLE HOLE



△	REASONS FOR REVISION	CORRECTION DATE	VERSINO	UNIT	PROJECTION	SCALE	Match models	DRG. No.	FT-255AH8-e	Designed	20180828
			1	MM		Frame 6 : 1 Drawing 1 : 1	FT-255A	NEME	Over View	SPINTOP MACHINERY CO., LTD. 芳嘉天碟 TEL: (04) 25682975 TOPDISK	