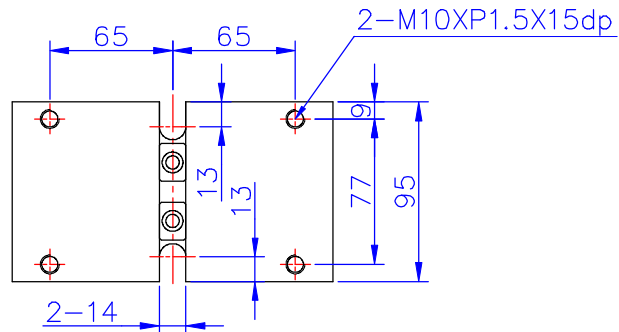
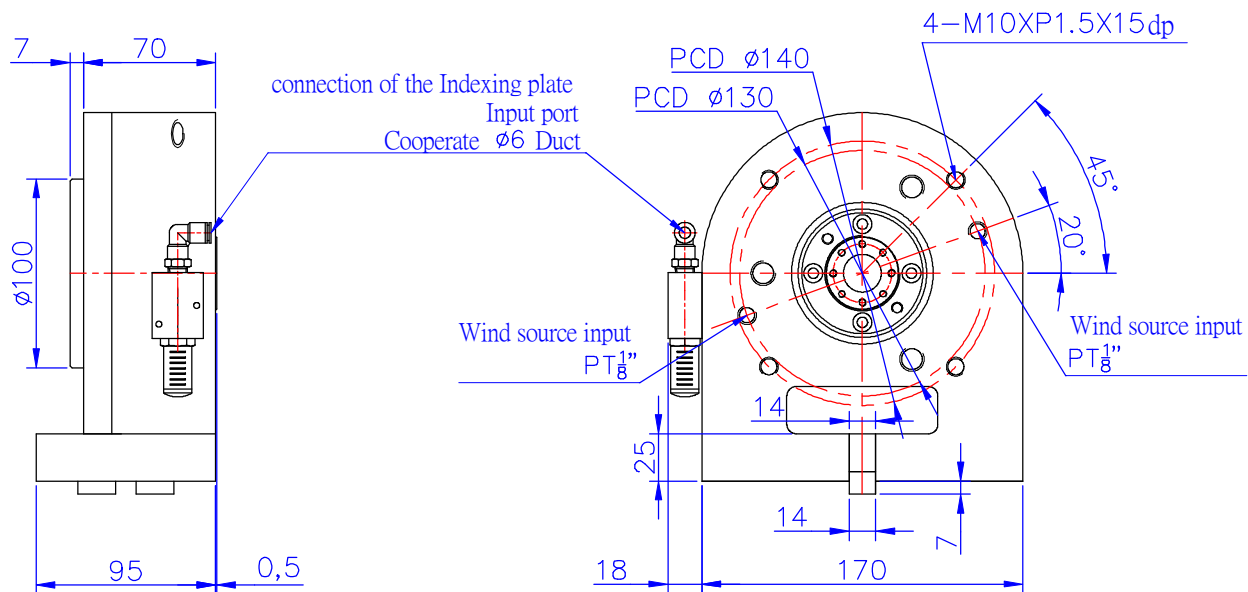
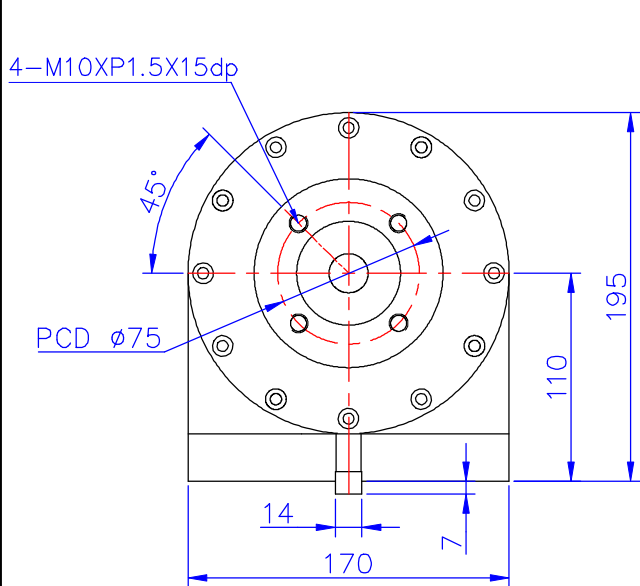


Spindle Hole



NO	REASONS FOR REVISION	CORRECTION DATE	VERSION	UNIT	PROJECTION	SCALE	Match models	DRG. No.	FT110P4xT-e	Designed	20181218
			1	MM		4 : 1	FT-110	NAME	Over View	SPINTOP MACHINERY CO., LTD. TEL: (04) 25682975	