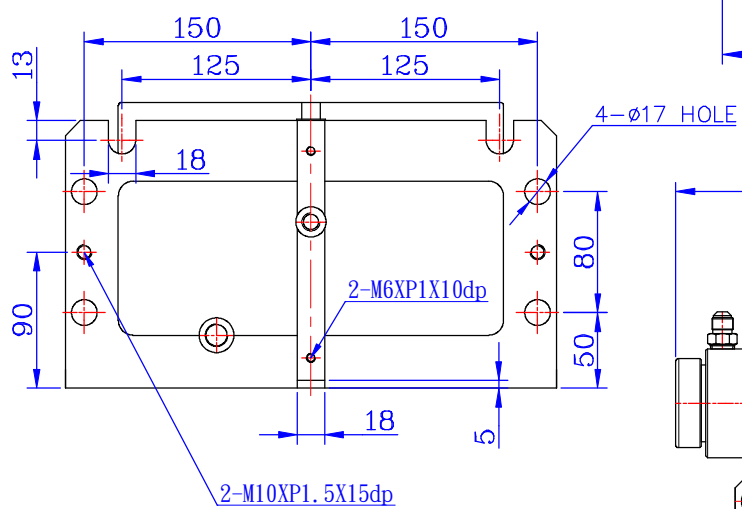
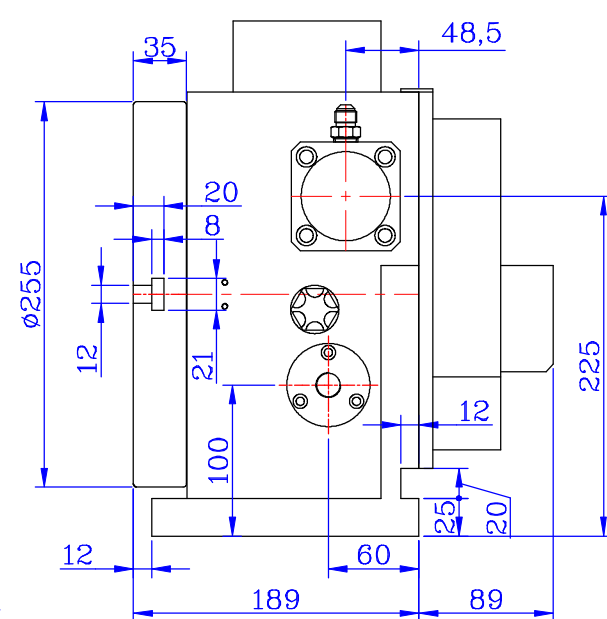
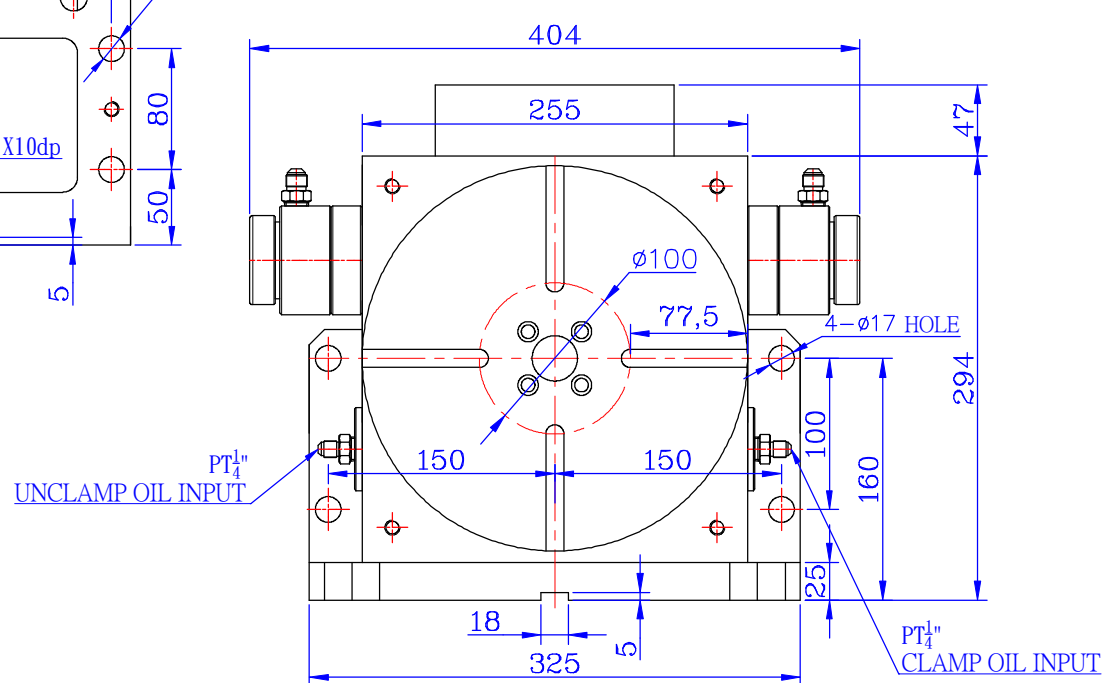


SPINDLE HOLE



X VIEW



X

△	REASONS FOR REVISION	CORRECTION DATE	VERSINO	UNIT	PROJECTION	SCALE	Match models	DRG. No.	PAL@CV3255HD-4e	Designed	20160829
			1	MM		Frame 5 : 1 Drawing 1 : 1	CV3-255HD	NEME	INDEX TABLE VIEW	SPINTOP MACHINERY CO., LTD. TEL: (04) 25682975 TOPDISK	